

CAR PARKING LIFT  
WITHOUT PEOPLE  
ON BOARD

# REX GOLD





Photo of the flange on the central beam, with the electrical system junction box on the side.

## THE TWO LIFTING PISTONS

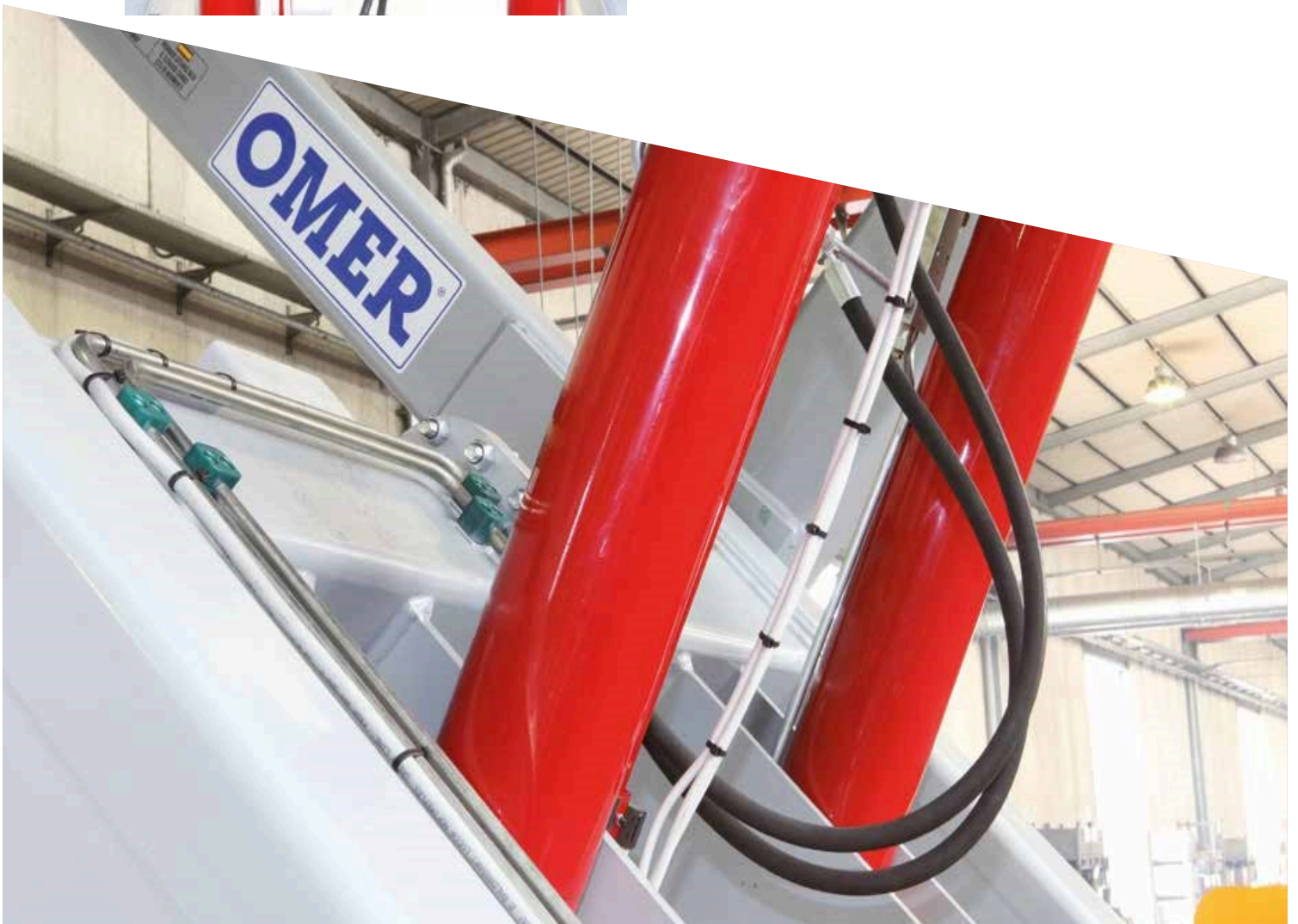
are set at the centre of the unit, installed on the mobile structure of the legs, thus minimizing any type of encumbrance. The pistons are manufactured by Omer SPA.



At the center,

## THE TWO CYLINDERS

are attached by a fixed connection and from there run to the hydraulic system. A bar has been installed on the left piston to hold the three types of limit switches, adjustable according to the desired height. Two limit switches for the top level, two for the lower level and one safety.







## ALL CONNECTION SYSTEMS-

both hydraulic and electrical - are installed along the legs of the machine, thus they do not take up any extra space and are easy to maintain.

All systems are preinstalled on the unit.

The photo shows the shaft supporting the limit switches.

## MOREOVER, ALL CONNECTIONS

have a catenary protection that keeps them in their housing, protecting them from forced or abrupt bending and thus preventing breakage. As can be seen, the legs slide on two continuous grooves fixed to the ground with mechanical anchors.

The two bases are also suitably shaped to prevent the leg slide wheels from popping out in case of uneven operation.

Photo of the hydraulic pistons, central connections and adjustable limit switches. Both hydraulic pistons have valves so that the pressure differential can be read. Any sudden leak of oil from the circuit, resulting in an abrupt drop in pressure, activates the parachute valves, immediately closing the hydraulic connection to the piston itself, promptly locking the platform.





## IF THE INSTALLATION

site presents problems, REX Gold 30 can have flanged connection beams (flanging on the upper beam) so that the unit can be set in the lift shaft unassembled. The central leg securing pin is inserted into a reinforcement on the legs themselves, thus ensuring greater resistance to wear. The photo shows the auxiliary lever connected to the back leg; it centers all the legs vs. the central axis of the unit and thus provides additional safety, preventing the structure from disengaging or improper lateral movement.

In order to ensure that the whole assembly is extremely compact, the hydraulic unit - Electro-hydraulic pump and oil tank - is built as one with the electric control panel.

## THE GREAT ACCESSIBILITY

of the hydraulic block, the speed control valves and the manometer controlling operating pressure make this maintenance and intervention on the machine even simpler and safer.

## THE REX GOLD 30

maximum height above ground is 4.10 mt and its standard load bearing capacity is 3,000 Kg (which can be increased to up to 4,000 Kg). Thanks to the lift symmetry, the weight does not need to be centered on the platform itself, thus it can double as either goods lift or car lift.

Despite its sturdiness, the REX Gold 30 (which weighs a total of 4,000 Kg) is extremely compact, requiring a pit of just 51 cm.

Moreover, to ensure greater resistance to the weather and outside factors, the platform is fully galvanized.







Note the platform stop (standard) which ensures correct positioning of the vehicle from the front edge. This detail ensures utmost safety, preventing any abrupt forward movement of the vehicle while the platform is being moved. Another such stop is found at the back.



## THE UNDERLYING PART OF THE PLATFORM

is supported by a steel skeleton that ensures the utmost reliability.





Detail of how compact the unit is.



## THE PLATFORM

is composed of a series of galvanized panels which are both extremely sturdy - given the shape of the panels - and light.





## THE REX GOLD 30 PLATFORM

is the top of the line of all pantographic platforms (also called scissor lifts).

REX Gold 30 has four mobile points at the ends of the two double legs, thus ensuring perfect symmetry and preventing the need for any overhanging platform parts.



## MOREOVER,

it has two outside valves installed on the so-called double effect hydraulic pistons. To lower the platform, pressurized oil must be fed into the pistons through the safety valves, thus controlling the rate at which it is lowered.



## BESIDES THE STANDARD

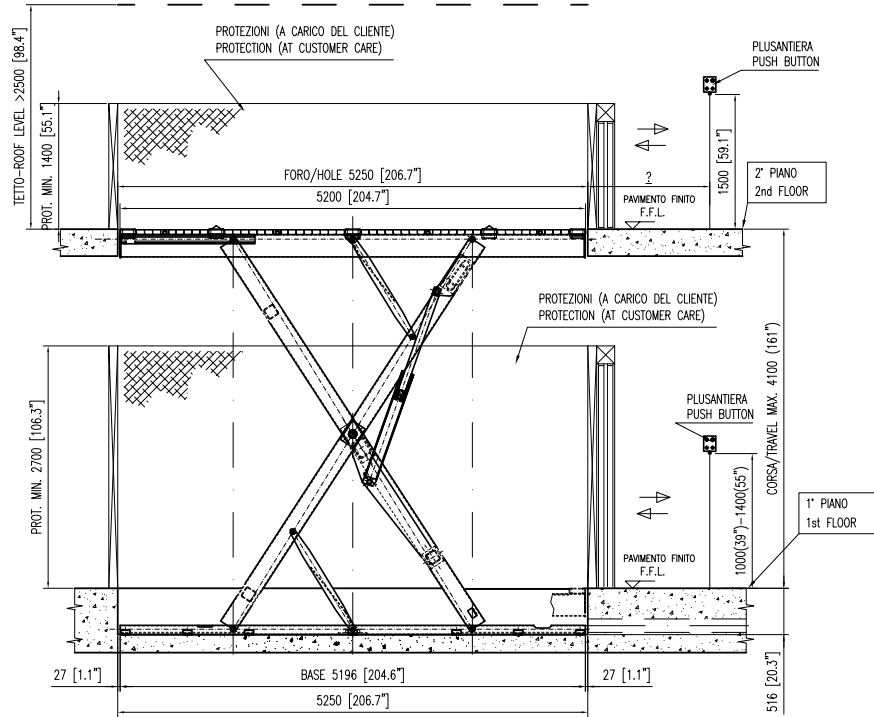
buttons to operate movement, the pushbutton panel has a “mushroom-shaped” emergency stop button and an activation key.



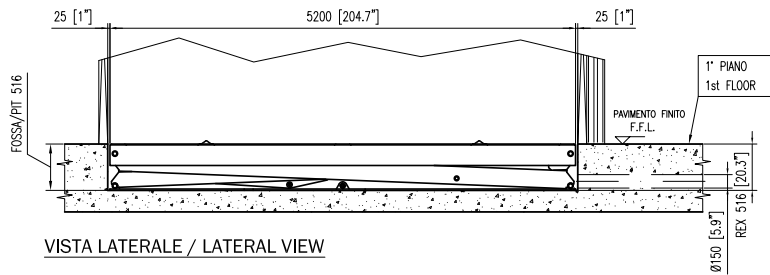


# REX

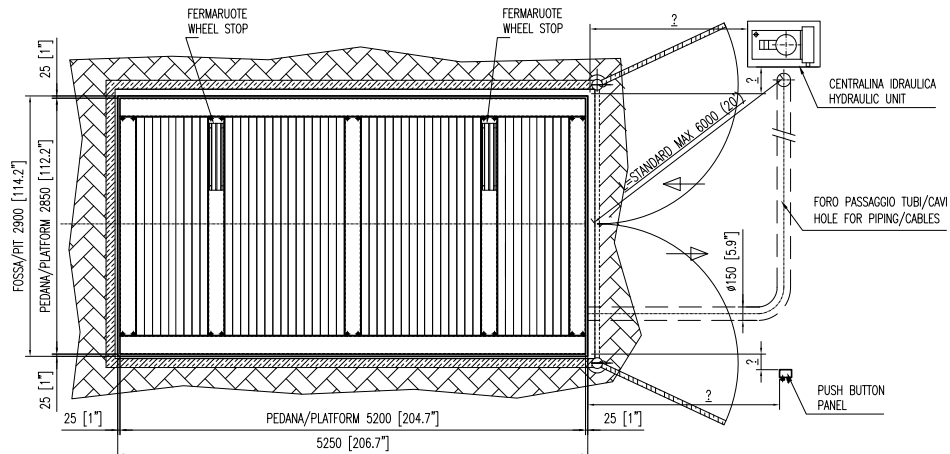
## REX 30 GOLD



VISTA LATERALE / LATERAL VIEW



VISTA LATERALE / LATERAL VIEW

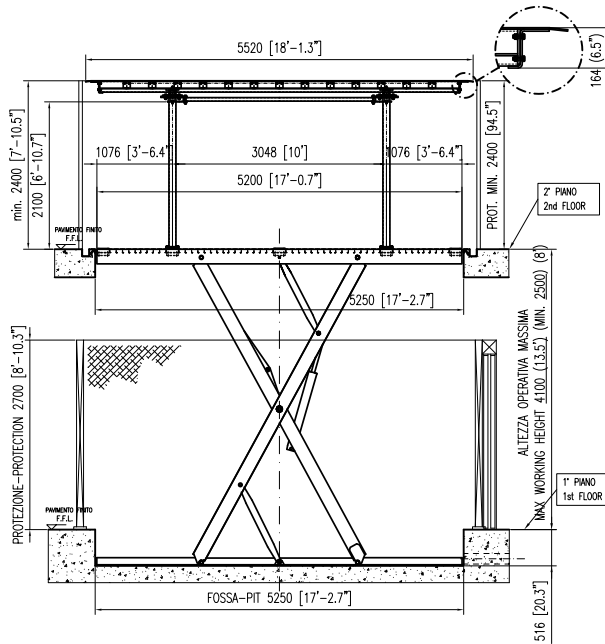


VISTA IN PIANTA / PLANT VIEW

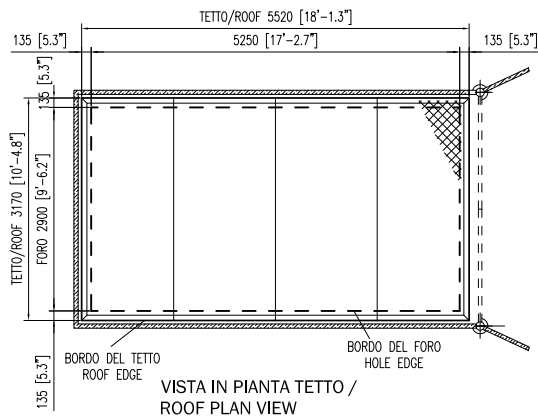
(1° PIANO / 1st FLOOR)

# REX

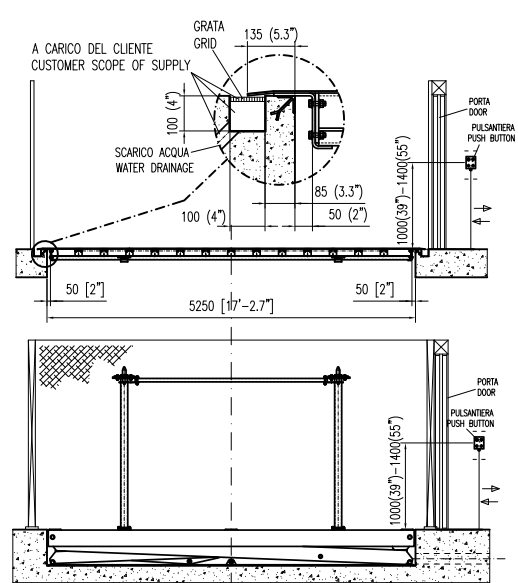
## REX 25 GOLD + T



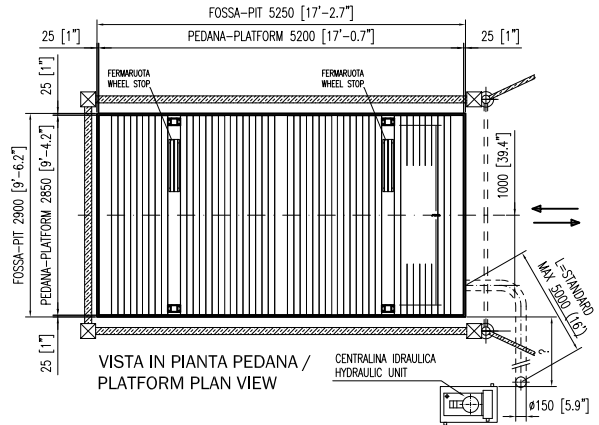
VISTA LATERALE REX ALZATO REX /  
REX LIFTED SIDE VIEW



VISTA IN PIANTA TETTO /  
ROOF PLAN VIEW



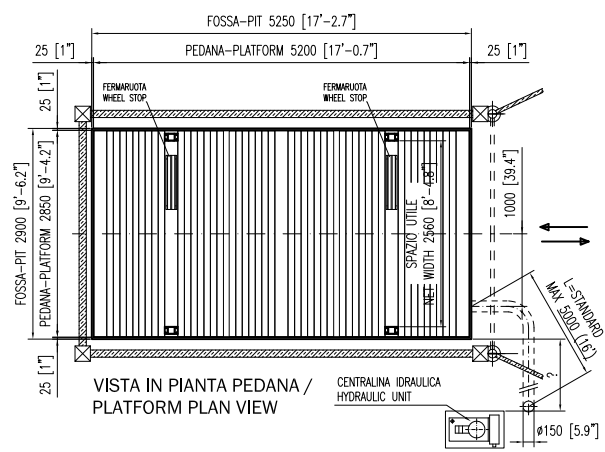
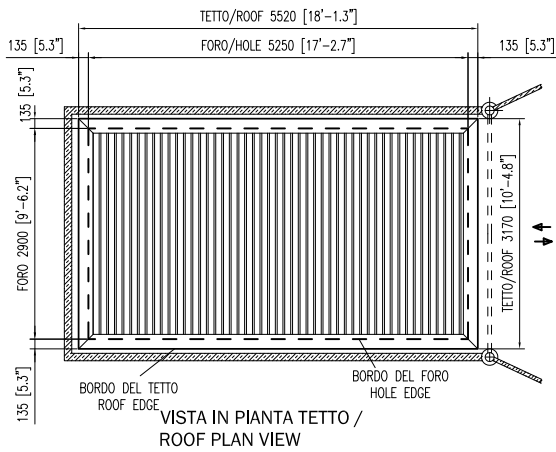
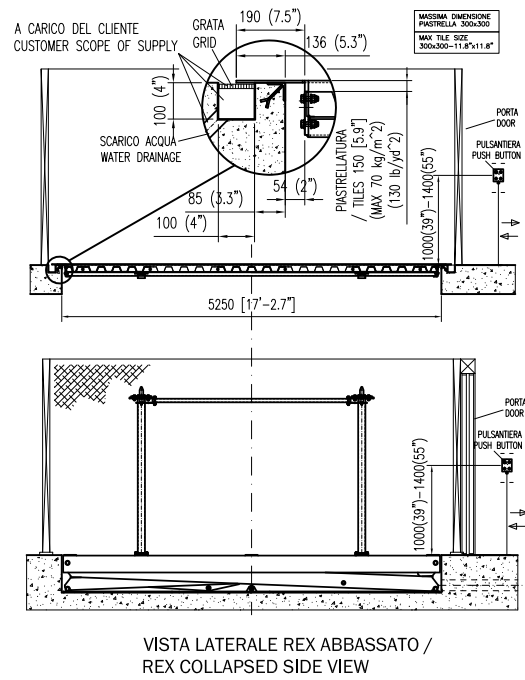
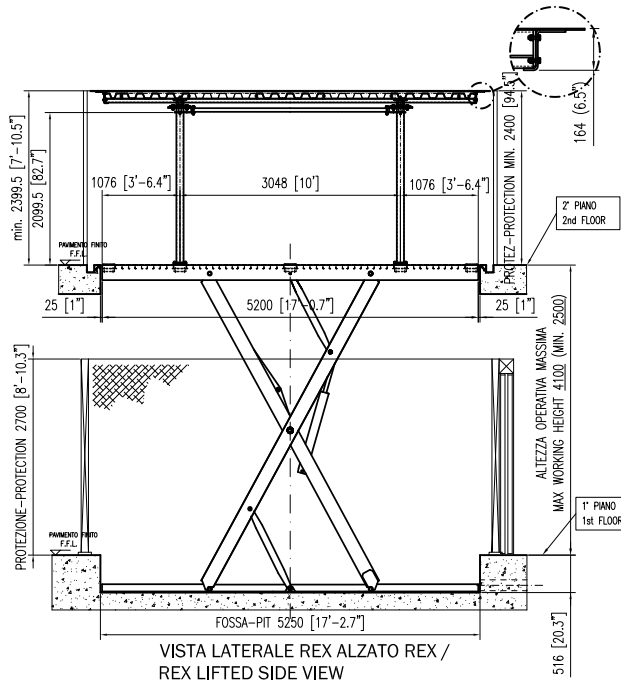
VISTA LATERALE REX ABBASSATO /  
REX COLLAPSED SIDE VIEW



VISTA IN PIANTA PEDANA /  
PLATFORM PLAN VIEW

# REX

REX 25 GOLD + TP



REX 25 GOLD + TP 4018069040

	Capacity	Standard Lifting Height	Max Lifting Height	Minimum Platform	Standard Platform	Max Platform	Useful height	Pit	Power	Speed	Power supply	Standard Weight	Notes
REX 30 GOLD	3000 kg.	4100 mm	4100 mm	2450x5200 mm	2850x5200 mm	3000x6000 mm		510 mm	4 kw	0,05 m/s	400 v / 50 hz	4000 kg.	
	6608 lbs	161,4 inch	161,4 inch	96,5x204,7 inch	112,2x204,7 inch	118,1x236,2 inch		20,1 inch	5,4 hp	2,0 inch/s	400 v / 50 hz	8811 lbs	
REX 25 GOLD + T	2500 kg.	4100 mm	4100 mm	2450x5200 mm	2850x5200 mm	3000x5560 mm	2100 mm	510 mm	5,5 kw	0,05 m/s	400 v / 50 hz	5800 kg.	Roof
	5507 lbs	161,4 inch	161,4 inch	96,5x204,7 inch	112,2x204,7 inch	118,1x218,9 inch	82,7 inch	20,1 inch	7,4 hp	2,0 inch/s	400 v / 50 hz	12775 lbs	
REX 25 GOLD + TP	2500 kg.	4100 mm	4100 mm	2450x5200 mm	2850x5200 mm	3000x5560 mm	2100 mm	510 mm	5,5 kw	0,05 m/s	400 v / 50 hz	5600 kg.	Roof/ roof with tiles
	5507 lbs	161,4 inch	161,4 inch	96,5x204,7 inch	112,2x204,7 inch	118,1x218,9 inch	82,7 inch	20,1 inch	7,4 hp	2,0 inch/s	400 v / 50 hz	12335 lbs	
REX 30 GOLD F	3000 kg.	4100 mm	4100 mm	2450x5200 mm	2850x5200 mm	3000x6000 mm		510 mm	4 kw	0,05 m/s	400 v / 50 hz	4100 kg.	F= flanged
	6608 lbs	161,4 inch	161,4 inch	96,5x204,7 inch	112,2x204,7 inch	118,1x236,2 inch		20,1 inch	5,4 hp	2,0 inch/s	400 v / 50 hz	9031 lbs	
REX 25 GOLD F + T	2500 kg.	4100 mm	4100 mm	2450x5200 mm	2850x5200 mm	3000x5560 mm	2100 mm	510 mm	5,5 kw	0,05 m/s	400 v / 50 hz	6000 kg.	F=flanged Roof
	5507 lbs	161,4 inch	161,4 inch	96,5x204,7 inch	112,2x204,7 inch	118,1x218,9 inch	82,7 inch	20,1 inch	7,4 hp	2,0 inch/s	400 v / 50 hz	13216 lbs	
REX 25 GOLD F + TP	2500 kg.	4100 mm	4100 mm	2450x5200 mm	2850x5200 mm	3000x5560 mm	2100 mm	510 mm	5,5 kw	0,05 m/s	400 v / 50 hz	5800 kg.	F= flanged Roof/ Roof with tiles
	5507 lbs	161,4 inch	161,4 inch	96,5x204,7 inch	112,2x204,7 inch	118,1x218,9 inch	82,7 inch	20,1 inch	7,4 hp	2,0 inch/s	400 v / 50 hz	12775 lbs	



# ACCESSORIES

■ STANDARD □ OPTIONAL

DESCRIPTION	REX 30 GOLD	REX 25 GOLD + T	REX 25 + TP	REX 30 GOLD F	REX 25 + TF	REX 25 + TPF	Notes
Standard Colors BLU RAL 5005 and SILVER RAL 9006	■	■	■	■	■	■	
Nr. 1 Standard platform with electrostatics galvanized smooth staves	■	■	■	■	■	■	
Max. Travel 4.100 mm.	■	■	■	■	■	■	
Flanged scissor				■	■	■	
Nr. 2 bases for pit fixing	■	■	■	■	■	■	
Nr. 2 Lifting Cylinders	■	■	■	■	■	■	
Nr. 2 "Dead man present" push button boards with key	■	■	■	■	■	■	
Security control module for sensors and safety locks	■	■	■	■	■	■	
Nr. 1 hydraulic pump with motor	■	■	■	■	■	■	
Nr. 1 Electrical panel board	■	■	■	■	■	■	
Standard power supply 230-400 V/3Ph/50 - 460 V/3Ph/60	■	■	■	■	■	■	
Nr. 2 stopping wheel L=745 mm	■	■	■	■	■	■	
2 stops	■	■	■	■	■	■	
Safety Electromechanical locks	■	■	■	■	■	■	
Roof transittable: 3000 kg. - (Not suitable to lift a vehicle)		■	■		■	■	
Covering roof in diamond checker plate		■			■		
Tileable roof in smooth metal sheet with tray of 30 mm. for lining			■			■	Tiles weigh max 70 Kg. per square meter - minimum travel 3000 mm Pit is modified accordingly with tiling thickness
Nylon Package	■	■	■	■	■	■	
screws anchors	■	■	■	■	■	■	
Non standard platform	□	□	□	□	□	□	See the technical data sheet
Predisposition for tileable platform	□			□			Tiles weigh max 70 Kg. per square meter Pit is modified accordingly with tiling thickness, add intensive use option
Loading capacity up to 4.000 Kg.	□			□			
bearing wheel for intensive use	□	□	□	□	□	□	Advisable for over 10 cycles / day
Additional stop (third stop)	□	□	□	□	□	□	
Additional push button board	□	□	□	□	□	□	
Additional push button board design style	□	□	□	□	□	□	
Push button board in stainless steel	□	□	□	□	□	□	
Electro mechanical lock	□	□	□	□	□	□	

DESCRIPTION	REX 30 GOLD	REX 25 GOLD + T	REX 25 + TP	REX 30 GOLD F	REX 25 + TF	REX 25 + TPF	Notes
Electrical supply for Kronenberg or Prudhomme	<input type="checkbox"/>	<input type="checkbox"/>	<input type="checkbox"/>	<input type="checkbox"/>	<input type="checkbox"/>	<input type="checkbox"/>	
Additional Electromagnetic sensors	<input type="checkbox"/>	<input type="checkbox"/>	<input type="checkbox"/>	<input type="checkbox"/>	<input type="checkbox"/>	<input type="checkbox"/>	
Outside pulse recall for each push button board	<input type="checkbox"/>	<input type="checkbox"/>	<input type="checkbox"/>	<input type="checkbox"/>	<input type="checkbox"/>	<input type="checkbox"/>	Applicable just on enclosed shaft
Pulse command return to home position button (just with pulse manouver)	<input type="checkbox"/>	<input type="checkbox"/>	<input type="checkbox"/>	<input type="checkbox"/>	<input type="checkbox"/>	<input type="checkbox"/>	Applicable just on enclosed shaft
Automatic repositioning to the floor in case of fire	<input type="checkbox"/>	<input type="checkbox"/>	<input type="checkbox"/>	<input type="checkbox"/>	<input type="checkbox"/>	<input type="checkbox"/>	Applicable just on enclosed shaft
Remote control each receiver	<input type="checkbox"/>	<input type="checkbox"/>	<input type="checkbox"/>	<input type="checkbox"/>	<input type="checkbox"/>	<input type="checkbox"/>	Max.ray 5 mt
remote control each transmitter	<input type="checkbox"/>	<input type="checkbox"/>	<input type="checkbox"/>	<input type="checkbox"/>	<input type="checkbox"/>	<input type="checkbox"/>	Max.ray 5 mt
Flashing light	<input type="checkbox"/>	<input type="checkbox"/>	<input type="checkbox"/>	<input type="checkbox"/>	<input type="checkbox"/>	<input type="checkbox"/>	
Siren	<input type="checkbox"/>	<input type="checkbox"/>	<input type="checkbox"/>	<input type="checkbox"/>	<input type="checkbox"/>	<input type="checkbox"/>	
2 colors trafic light (Red / Green)	<input type="checkbox"/>	<input type="checkbox"/>	<input type="checkbox"/>	<input type="checkbox"/>	<input type="checkbox"/>	<input type="checkbox"/>	
2 colors trafic light (Red / Green) design style	<input type="checkbox"/>	<input type="checkbox"/>	<input type="checkbox"/>	<input type="checkbox"/>	<input type="checkbox"/>	<input type="checkbox"/>	
Waterproof galvanized cover for control unit for outdoor installation	<input type="checkbox"/>	<input type="checkbox"/>	<input type="checkbox"/>	<input type="checkbox"/>	<input type="checkbox"/>	<input type="checkbox"/>	
Waterproof push button board IP 54	<input type="checkbox"/>	<input type="checkbox"/>	<input type="checkbox"/>	<input type="checkbox"/>	<input type="checkbox"/>	<input type="checkbox"/>	
Lifting speed from 0,06 a 0,09 m/s	<input type="checkbox"/>	<input type="checkbox"/>	<input type="checkbox"/>	<input type="checkbox"/>	<input type="checkbox"/>	<input type="checkbox"/>	
Soft Starter	<input type="checkbox"/>	<input type="checkbox"/>	<input type="checkbox"/>	<input type="checkbox"/>	<input type="checkbox"/>	<input type="checkbox"/>	
Hydraulic pump with low acoustic emission	<input type="checkbox"/>	<input type="checkbox"/>	<input type="checkbox"/>	<input type="checkbox"/>	<input type="checkbox"/>	<input type="checkbox"/>	On request
Emergency descent maneuver with manual pump	<input type="checkbox"/>	<input type="checkbox"/>	<input type="checkbox"/>	<input type="checkbox"/>	<input type="checkbox"/>	<input type="checkbox"/>	
Nr. 1 fix handrail H=1.200 mm. (per meter)	<input type="checkbox"/>	<input type="checkbox"/>	<input type="checkbox"/>	<input type="checkbox"/>	<input type="checkbox"/>	<input type="checkbox"/>	
Nr. 1 removable handrail H = 1.200 mm (per meter)	<input type="checkbox"/>	<input type="checkbox"/>	<input type="checkbox"/>	<input type="checkbox"/>	<input type="checkbox"/>	<input type="checkbox"/>	
Photocell barrier car control forward backward H=600 mm	<input type="checkbox"/>	<input type="checkbox"/>	<input type="checkbox"/>	<input type="checkbox"/>	<input type="checkbox"/>	<input type="checkbox"/>	
Control photocells for car's height (Nr. 2)		<input type="checkbox"/>	<input type="checkbox"/>		<input type="checkbox"/>	<input type="checkbox"/>	
Photocell barrier for doors' area control H= 150 mm	<input type="checkbox"/>	<input type="checkbox"/>	<input type="checkbox"/>	<input type="checkbox"/>	<input type="checkbox"/>	<input type="checkbox"/>	
Photocell barrier for doors' area control H= 300 mm	<input type="checkbox"/>	<input type="checkbox"/>	<input type="checkbox"/>	<input type="checkbox"/>	<input type="checkbox"/>	<input type="checkbox"/>	
Laser scanner for control area	<input type="checkbox"/>	<input type="checkbox"/>	<input type="checkbox"/>	<input type="checkbox"/>	<input type="checkbox"/>	<input type="checkbox"/>	
Non standard power supply	<input type="checkbox"/>	<input type="checkbox"/>	<input type="checkbox"/>	<input type="checkbox"/>	<input type="checkbox"/>	<input type="checkbox"/>	On request
Non standard colour*	<input type="checkbox"/>	<input type="checkbox"/>	<input type="checkbox"/>	<input type="checkbox"/>	<input type="checkbox"/>	<input type="checkbox"/>	
Hot dip glavanization	<input type="checkbox"/>	<input type="checkbox"/>	<input type="checkbox"/>	<input type="checkbox"/>	<input type="checkbox"/>	<input type="checkbox"/>	Platform, scissors and bases
Roof hot dip galvanization	<input type="checkbox"/>	<input type="checkbox"/>	<input type="checkbox"/>	<input type="checkbox"/>	<input type="checkbox"/>	<input type="checkbox"/>	
Machine on pallet	<input type="checkbox"/>	<input type="checkbox"/>	<input type="checkbox"/>	<input type="checkbox"/>	<input type="checkbox"/>	<input type="checkbox"/>	
Platform staves on pallet	<input type="checkbox"/>	<input type="checkbox"/>	<input type="checkbox"/>	<input type="checkbox"/>	<input type="checkbox"/>	<input type="checkbox"/>	
Control panel crate	<input type="checkbox"/>	<input type="checkbox"/>	<input type="checkbox"/>	<input type="checkbox"/>	<input type="checkbox"/>	<input type="checkbox"/>	