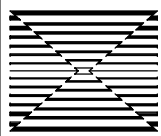
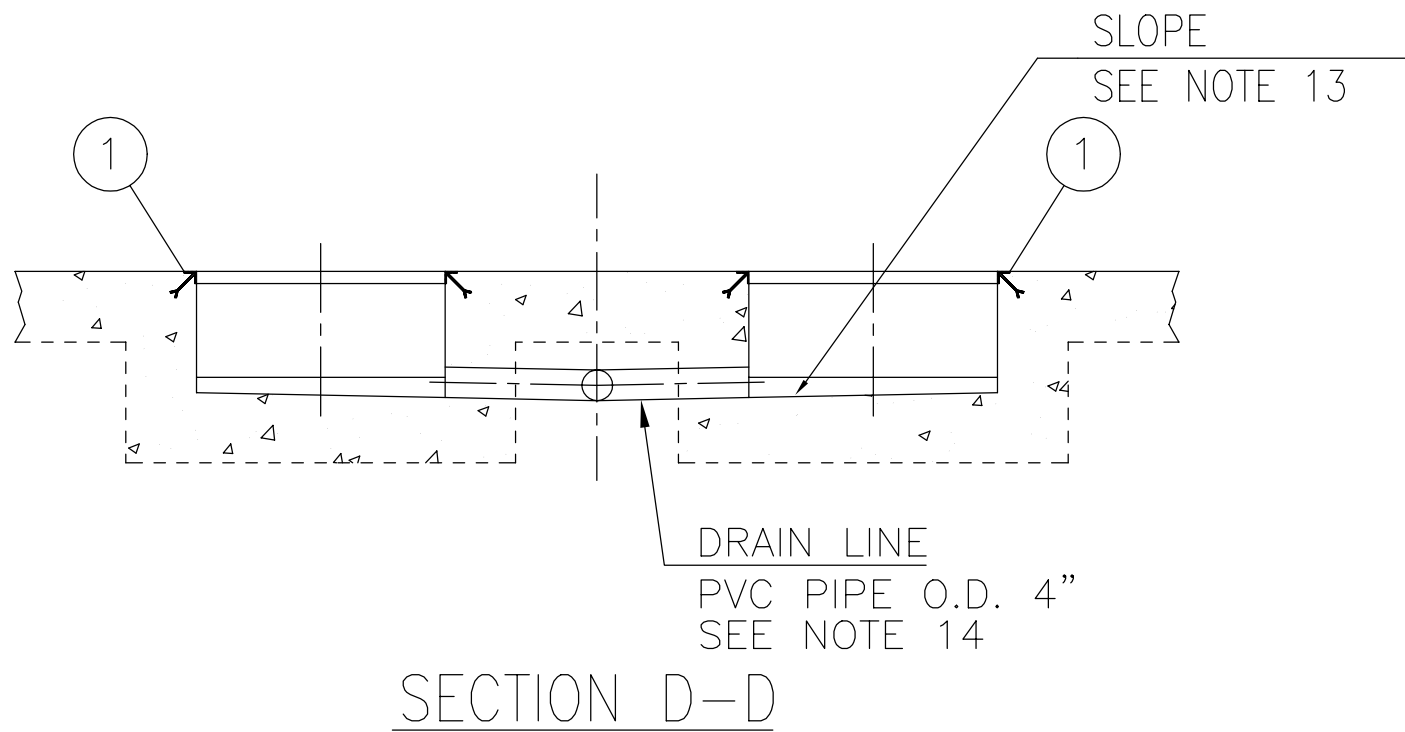


PLAN VIEW

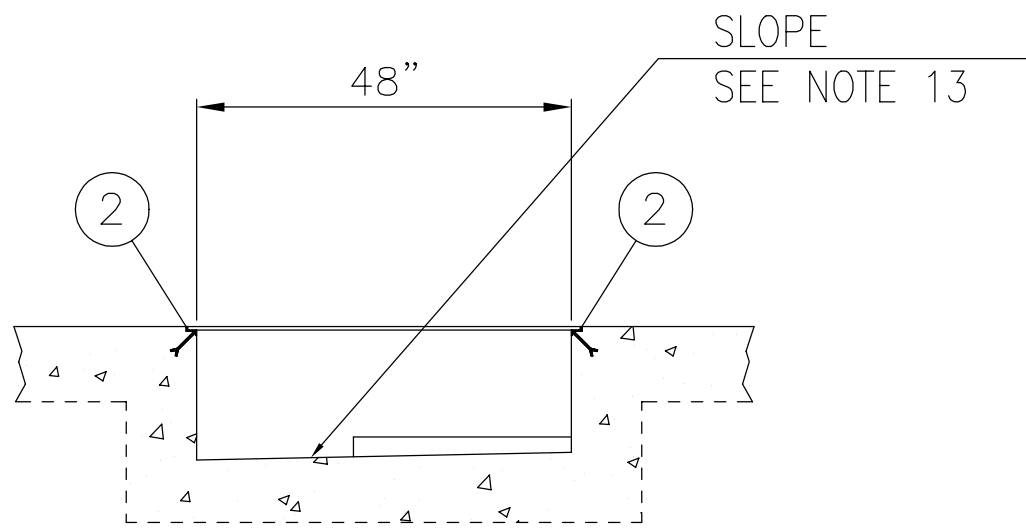
CONTROL PANEL SEE NOTE 7

CUSTOMER		CONTINUOUS BASE -FLUSH MOUNT-		
WORK ORDER	VEGA 240/50		H=73"	L=26'
Tot. Q.ty				
	O.M.E.R. S.p.A.		SCALE 1:30	DATE 15/04/00
			DRAFTSMAN MINTO	CHECKED
		APPROVAL		Q.A.
		DWG. N° 04	SHEET N°	
		FILE e/istruz/v240cb26_03_06	OF SHEET	REV.
<small>The information contained herein is property of O.M.E.R. spa_ This material cannot be reproduced nor used, all or in part, without written authorization from O.M.E.R. spa_</small>				

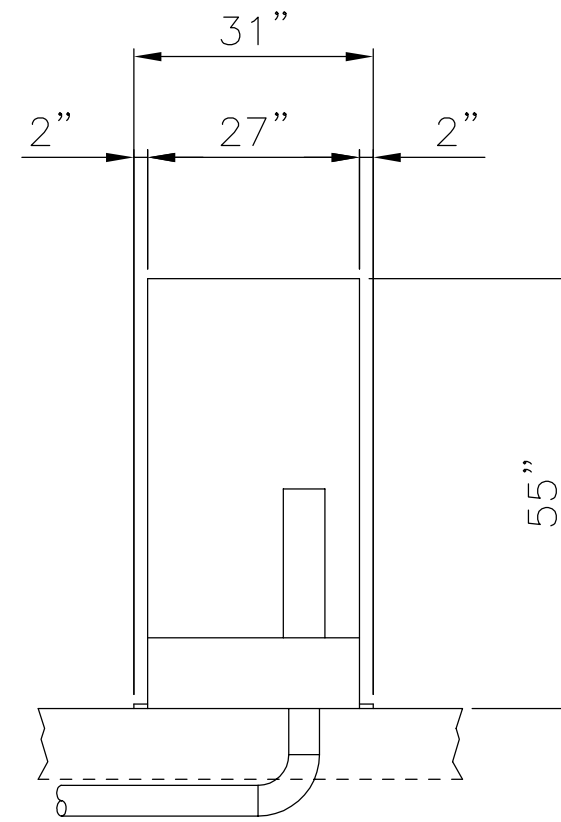
REVISIONS	DATE	SIGNATURE	APPROVED	Q.A.
a				
b				
c				
d				
e				
f				
g				
h				
i				
l				
m				
n				



SECTION D-D



SECTION E-E



SECTION F-F
CONTROL PANEL

REVISIONS	DATE	a	b	c	d	e	f	g	h	i	l	m	n
SIGNATURE													
APPROVED													
Q.A.													

CUSTOMER		OPEN FLOOR -FLUSH MOUNT-											
WORK ORDER		VEGA 240/50 H=73" L=26'											
Tot. Q.ty													
	O.M.E.R. S.p.A.												
	SCALE 1:25	DATE 15/04/00											
	DRAFTSMAN MINTO	CHECKED	APPROVAL	Q.A.									
	DWG. N° 13	SHEET N°											
The information contained herein is property of O.M.E.R. spa_ This material cannot be reproduced nor used , all or in part , without written authorization from O.M.E.R. spa_		FILEe/istruz/v240sb26_10_13		OF SHEET		REV.							

